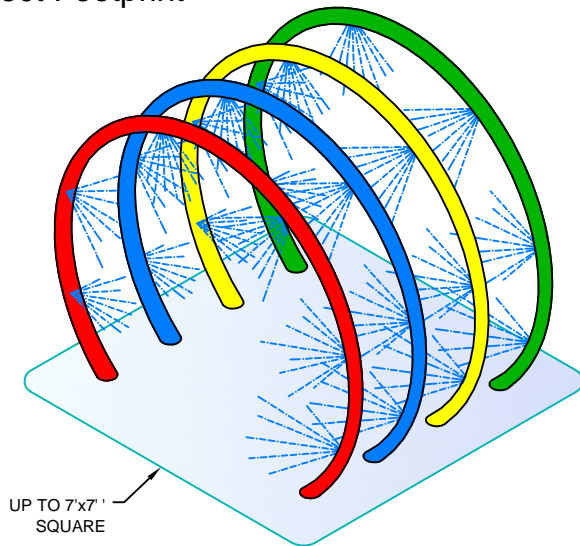
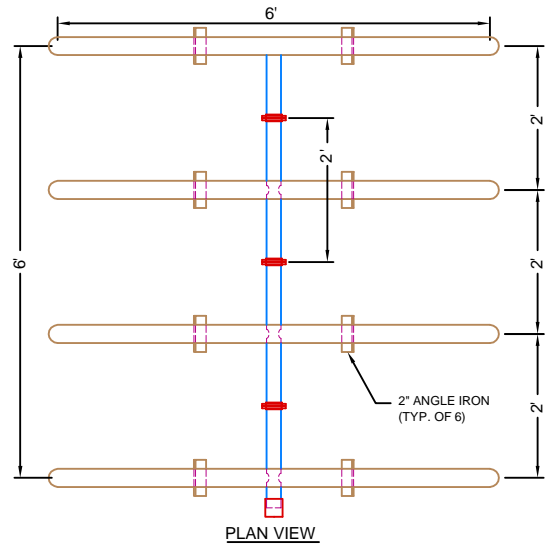


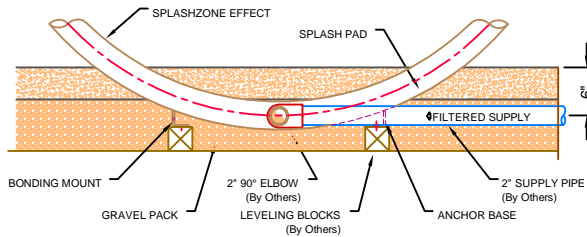
Effect Footprint



4 Hoop Spray Tunnel



Anchor Assembly



Specifications

Materials:

Body - All Stainless Steel construction.
Anchor Flange & Fasteners - All Stainless Steel Construction.

Finish:

Polane HS plus an industrial urethane finish that is resistant to chlorine & is UV stabilized.

Hydraulics:

20 GPM @ 15 PSI.

Supply Line:

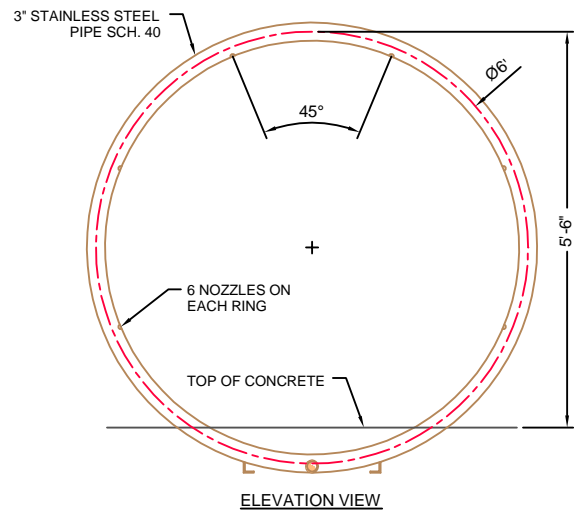
Minimum 2"

Colors:

Red, Blue, Yellow, White, Forest Green, Sea Blue, Pink, Orange, Light Green, Brown, Black & Purple.

Controller:

Not Required.



4 Hoop Spray Tunnel Feature



St. Louis, MO * Chicago, IL
800-932-3123
Fax 636-677-8989

PN - 11025

DATE: 1/6/09

SCALE: 3/8" = 1'

WWW.WATERWORKSINTERNATIONAL.COM