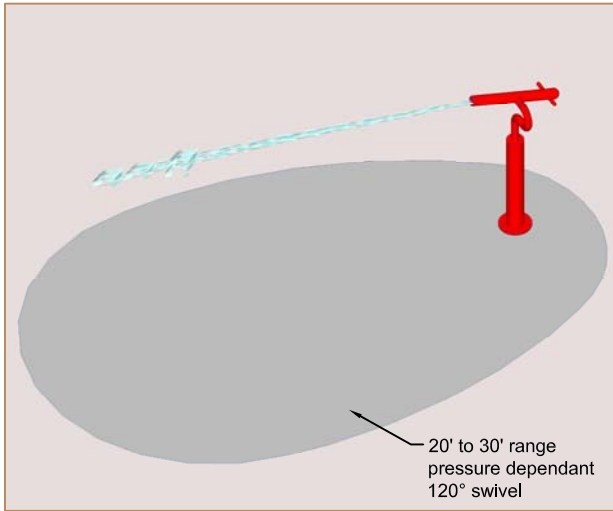
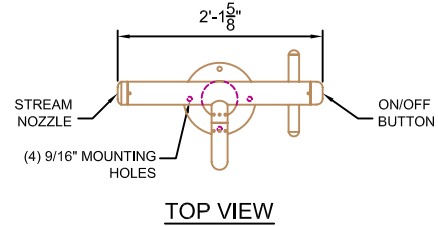


Effect Footprint

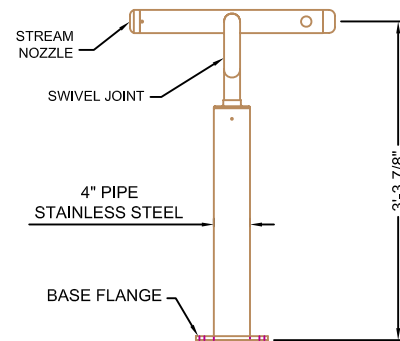
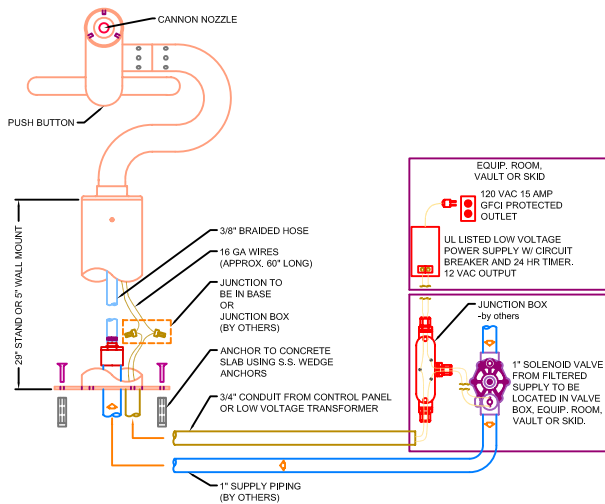


Pedestal mount pushbutton Water Cannon with stream nozzle



TOP VIEW

Anchor Assembly



ELEVATION VIEW

Specifications

Materials:

Body - All Stainless Steel construction.
Anchor Flange & Fasteners - All Stainless Steel Construction.

Finish:

Polane HS plus an industrial urethane finish that is resistant to chlorine & is UV stabilized.

Hydraulics:

2 GPM @ 20 PSI.

Supply Line:

Minimum 1"

Colors:

Red, Blue, Yellow, White, Forest Green, Sea Blue, Pink, Orange, Light Green, Brown, Black & Purple.

Controller:

Required - One solenoid input.

Water Cannon Water Feature



St. Louis, MO * Chicago, IL
800-932-3123
Fax 636-376-3242

PN - 10851

DATE: 4/1/09

SCALE: 1/2" = 1'

WWW.WATERWORKSINTERNATIONAL.COM