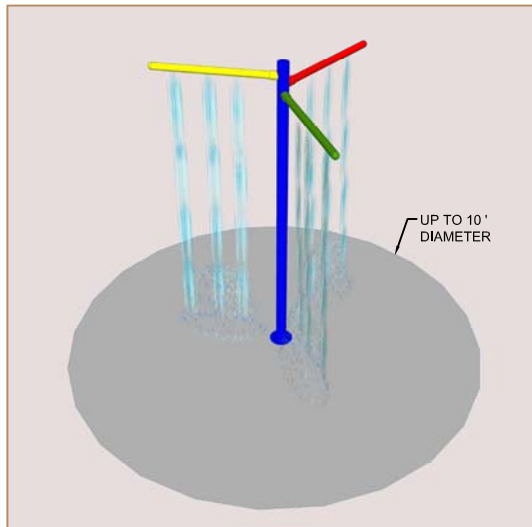
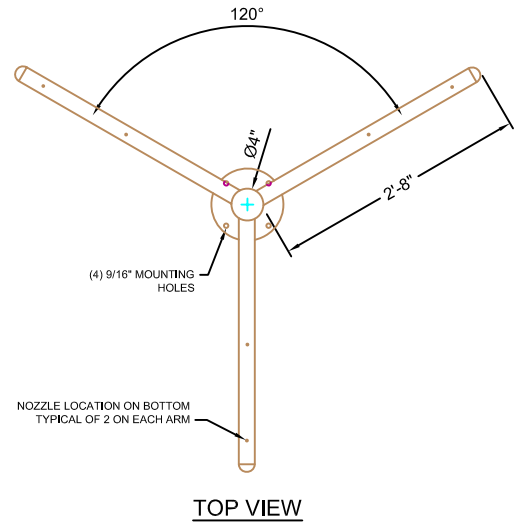


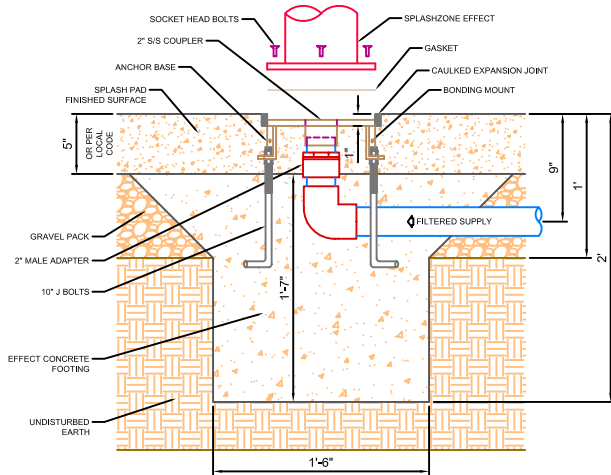
Effect Footprint



Tri-Pole Tower



Anchor Assembly



Specifications

Materials:

Body - All Stainless Steel construction.
Anchor Flange & Fasteners - All Stainless Steel Construction.

Finish:

Polane HS plus an industrial urethane finish that is resistant to chlorine & is UV stabilized.

Hydraulics:

36 GPM @ 20 PSI.

Supply Line:

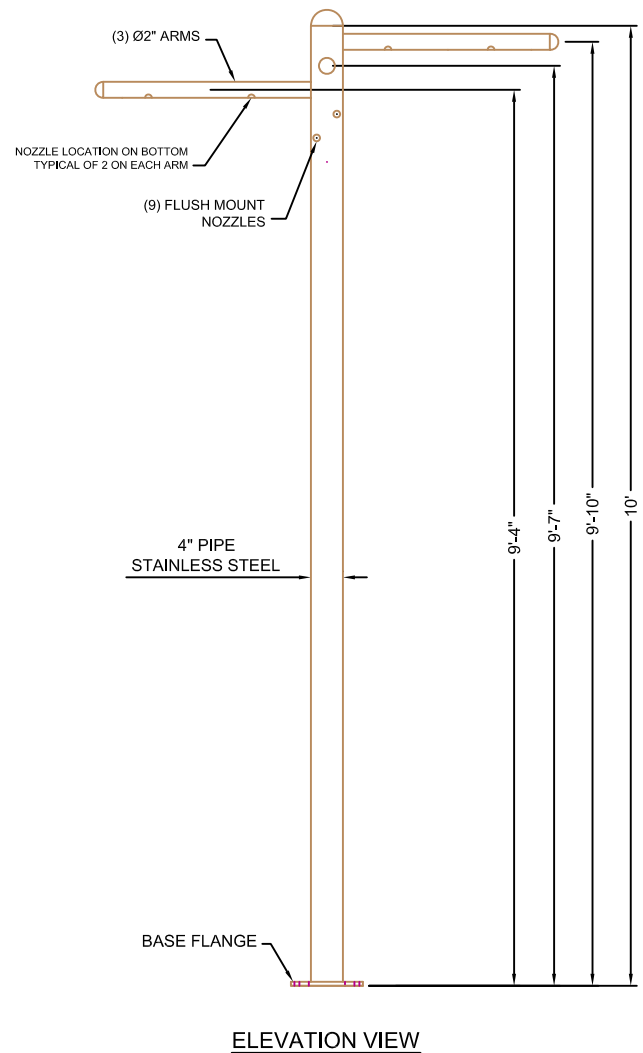
Minimum 2"

Colors:

Red, Blue, Yellow, White, Forest Green, Sea Blue, Pink, Orange, Light Green, Brown, Black & Purple.

Controller:

Not Required.



Tri-Pole Water Feature



St. Louis, MO * Chicago, IL
800-932-3123
Fax 636-376-3242

PN - 11029

DATE: 4/6/09

SCALE: 1" = 1'

WWW.WATERWORKSINTERNATIONAL.COM