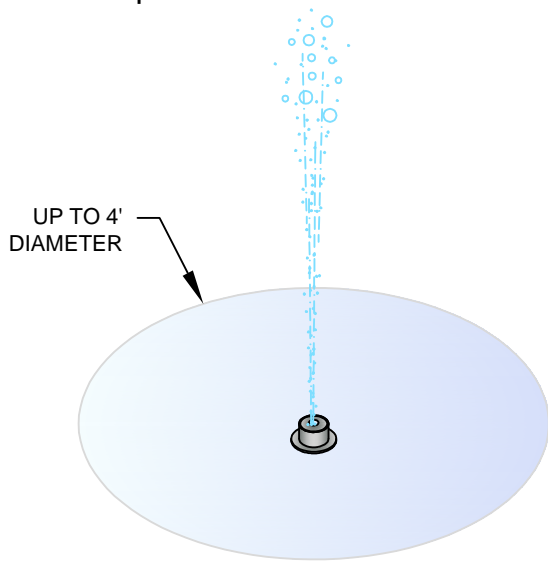
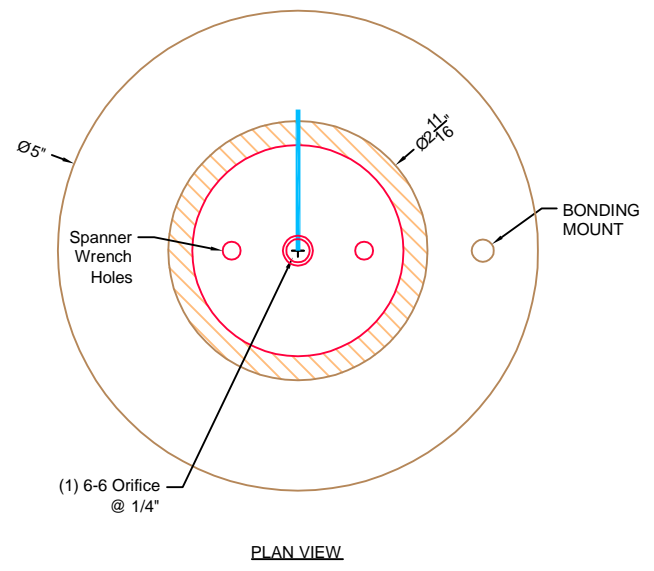


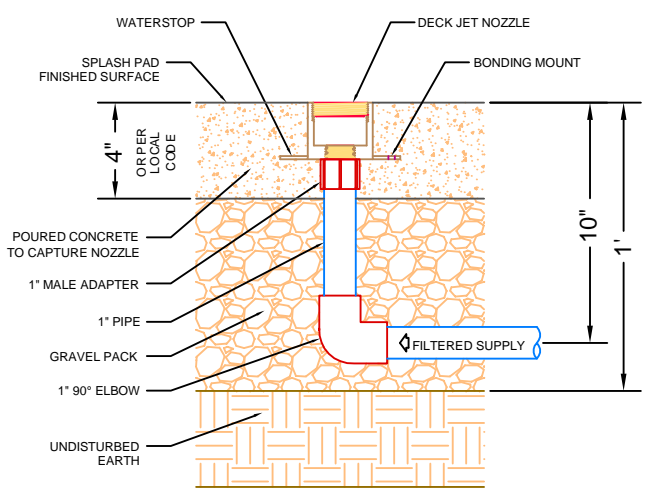
Effect Footprint



Pop 6-6 Deck Jet



Installation



Specifications

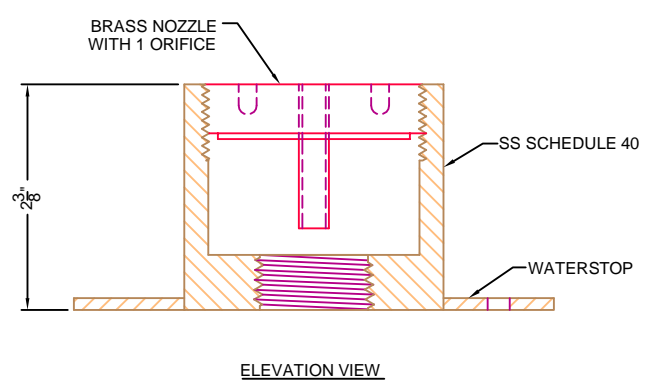
Mounting:
Top of nozzles are flush with finish surface. Body is completely buried in concrete.

Materials:
Body - All Stainless Steel construction.
Anchor Flange & Fasteners - All Stainless Steel Construction.

Hydraulics:
5 GPM @ 20 PSI.

Supply Line:
Minimum 1"

Controller:
Required - One solenoid input.



Pop 6-6 Deck Jet



St. Louis, MO * Chicago, IL
800-932-3123
Fax 636-376-3242

PN: WD1120

DATE: 7/22/11

SCALE: 6" = 1'

WWW.WATERWORKSINTERNATIONAL.COM