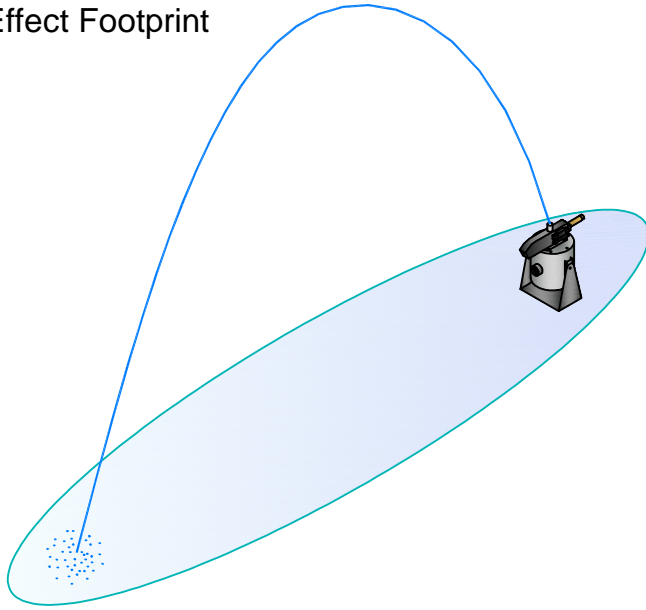
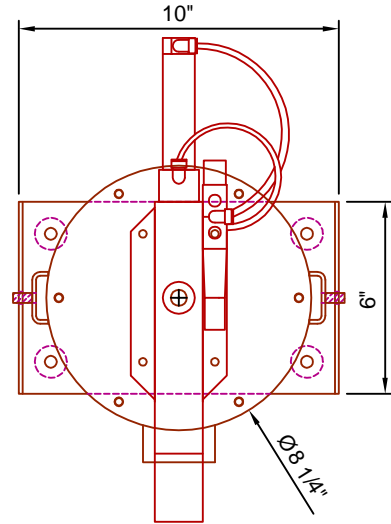


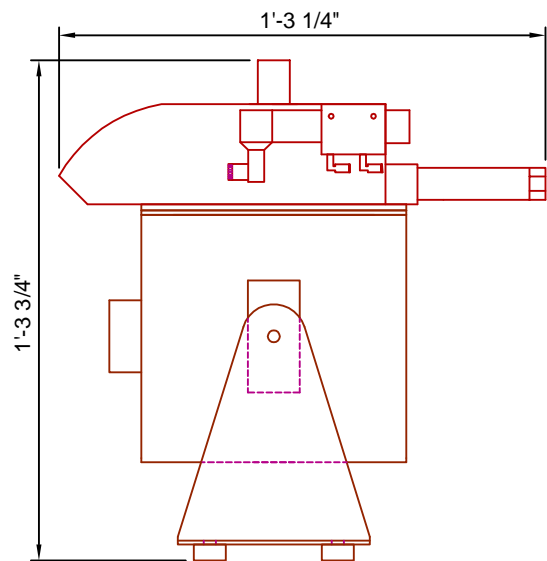
Effect Footprint



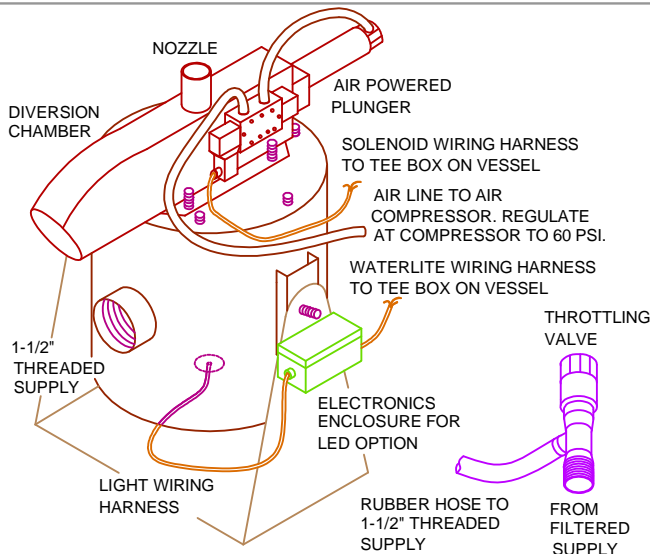
Jumping Jet



TOP VIEW



SIDE VIEW



Specifications

Mounting:

Top of vessel is flush with finish surface. Body is completely buried in concrete.

Materials:

Vessel - Fiberglass construction.
 Jumping Jet - All Stainless Steel Construction.
 Anchor Flange & Fasteners - All Stainless Steel Construction.

Drain:

20 GPM Gravity

Supply Lines:

Water - 10 GPM @ 15 PSI.
 Air - 60 PSI.

Light (optional):

RGB LED Lights

Controller:

Required - One solenoid input.

The Jumping Jet shoots a laminar stream of water from place to place under program control. The glass-like rod of water is manufactured using our laminar water technology. The water shall be cut off and on, to make the water jumps from the jets in a solid stream. The lighted version incorporates our patented Lighted Laminar Nozzle. A high intensity light follows the stream like a fiber optic cable and illuminates the spot where the stream lands. Jumping Jets can be controlled with our Windows based software to be synchronized with each other, to music and lights, to perform shows.

Clean filtered water of swimming pool quality shall be supplied to each Jumping Jet at 10GPM and 15psi. There shall be a 24V AC (other voltages available) control circuit supplied from a Programmable Controller to time the jump of the jets.

LED Lighted Pneumatic Jumping Jet



St. Louis, MO * Chicago, IL
 800-932-3123
 Fax 636-376-3242

PN - WJ1012

DATE: 5/3/11

SCALE: 2" = 1"

WWW.WATERWORKSINTERNATIONAL.COM