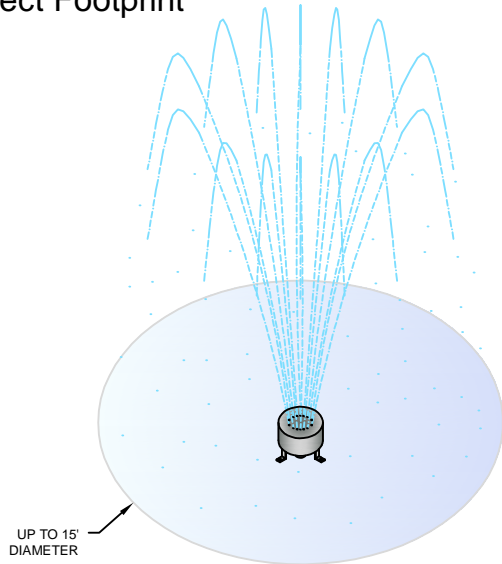
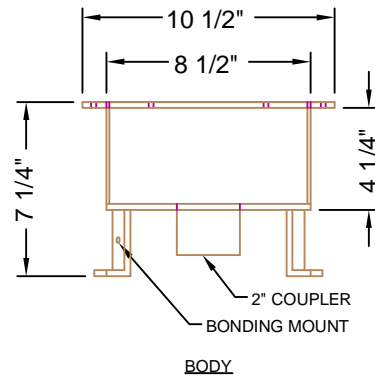
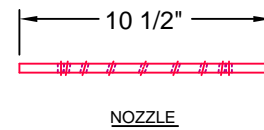
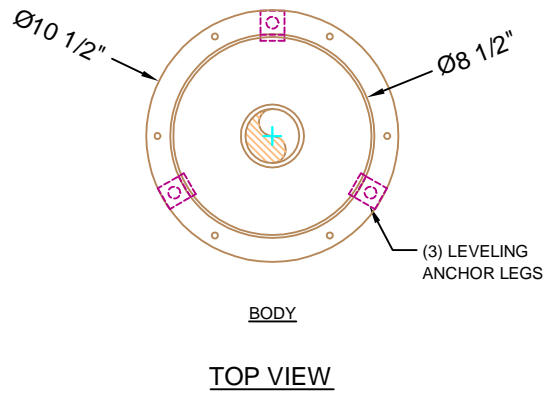
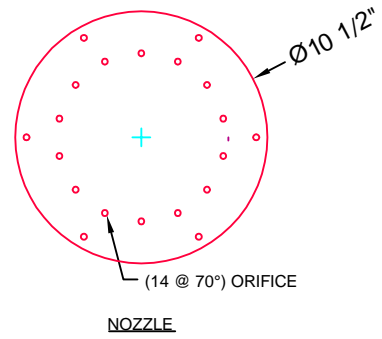


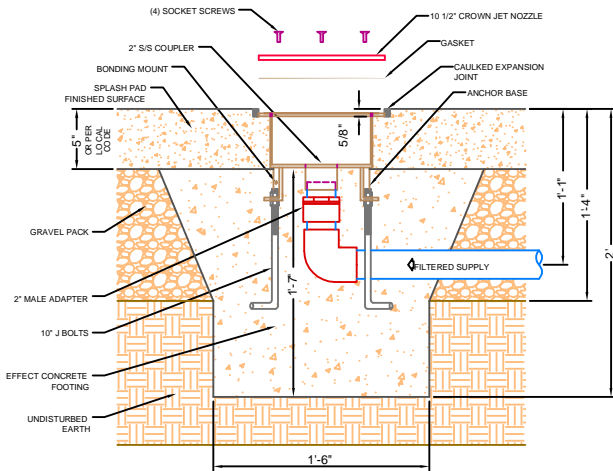
Effect Footprint



Crown Jet



Anchor Assembly



Specifications

Mounting:

Top of nozzles are flush with finish surface. Body is completely buried in concrete.

Materials:

Body - All Stainless Steel construction.
Anchor Flange & Fasteners - All Stainless Steel Construction.

Hydraulics:

25 GPM @ 20 PSI.

Supply Line:

Minimum 2"

Controller:

Required - One solenoid input.

Crown Jet Water Feature



St. Louis, MO * Chicago, IL
800-932-3123
Fax 636-376-3242

PN - 11050

DATE: 8/0/11

SCALE: 1 1/2" = 1'

WWW.WATERWORKSINTERNATIONAL.COM